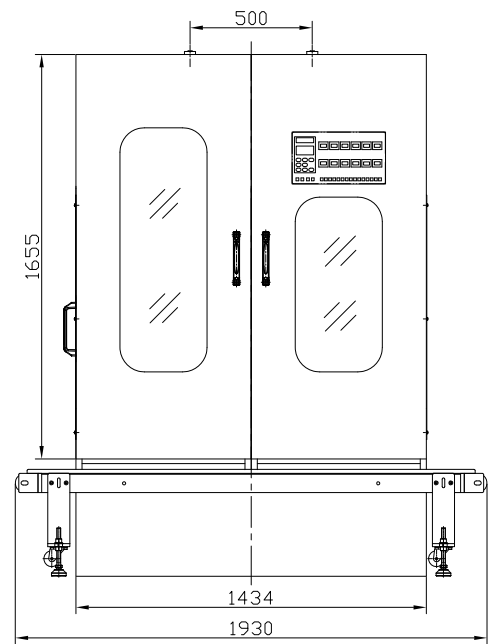
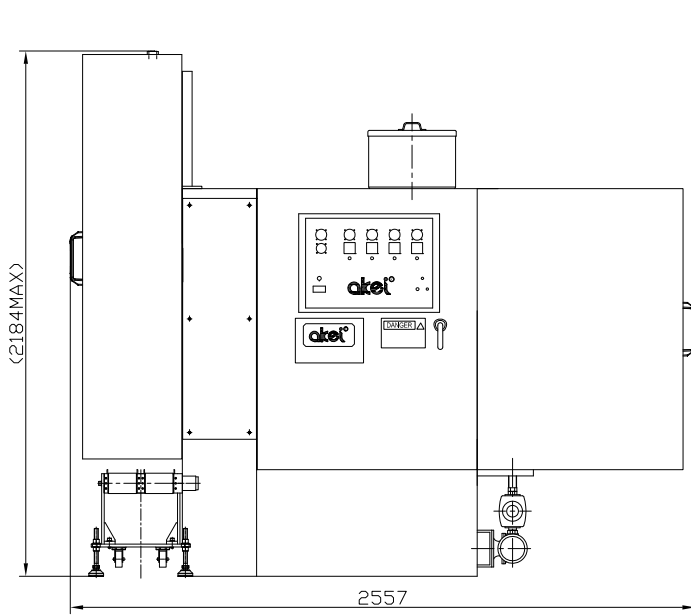
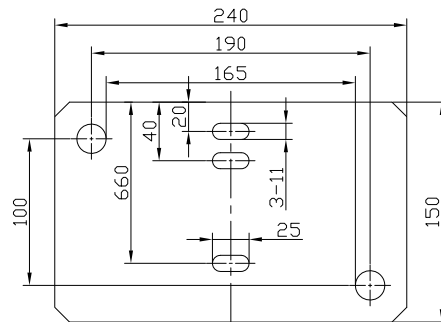
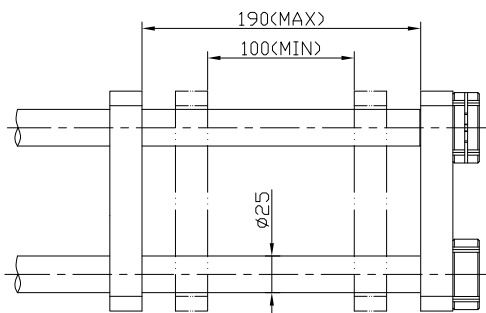


# SMART BOY SB-40-TS



Model specification	Unit	Parameter			Remark
Screw Diameter	mm	40			
Screw Ratio(L/D)	L/D	24:1			20:1 is available
Extruder Speed (50 Hz)	rpm	82			Speed ratio: 18
Extrusion Volume (PE)	kg/h	22			
VFD Controlled Motor	kW	7.5			5.5 is available
Extruder Heating	Zone(s)	3			
Heat Section Voltage(PE)	kW	5.75			
Carriage Stroke	mm	250			
Clamp Stroke	mm	90			
Clamp Force(160bar)	t	3			
Dry Cycle	sec(s)	3.0			
Hydraulic Motor	kW	5.5			
Head Configuration	cavity	Single	Double	Three	
Die Head Heating	Zone(s)	2	4	4	
Heat Section Voltage(PE)	kW	1.99	2.8	2.75	
Double Head Center Distance	mm	—	70	45	
Total Installed Power	kW	20.97	21.24	20.89	
Compressed Air Consumption(6~8BAR)	m <sup>3</sup> /h	0.6			
Packing Dimensions(L×W×H)	m	2.40×2.16×2.20			
Gross Weight(Approx.)	t	1.5			
Water Consumption	m <sup>3</sup> /h	0.8			

\* For Reference Only



These specifications are for reference only. Akei reserves the rights to any modifications.

**akei**® AKEI HOLDINGS COMPANY LIMITED  
 Block A, B, C, D, E, F Kaming Fty. bldg., 688-690,  
 Castle Peak Rd., Kowloon, HongKong  
 TEL: +852-27411312; FAX: +852-27859560  
<http://www.akei.com.hk>

**AKEI INDUSTRIAL PARK (KAIPING)**  
 Wulong Industrial District Chikan Town  
 Kaiping Guangdong Province China  
 TEL: +86-0750-2168888; FAX: +86-0750-2168889  
<http://www.akei.com.cn>